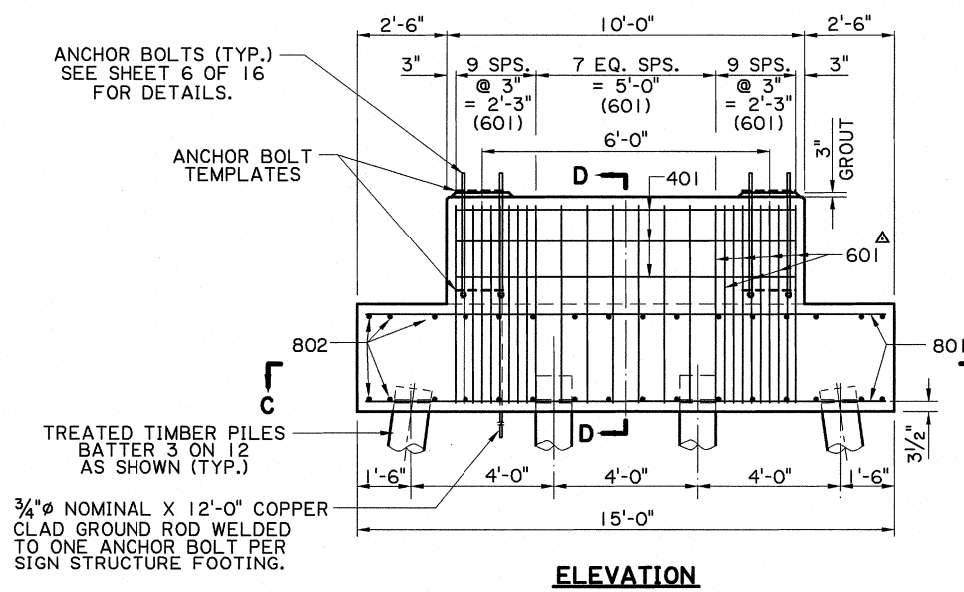
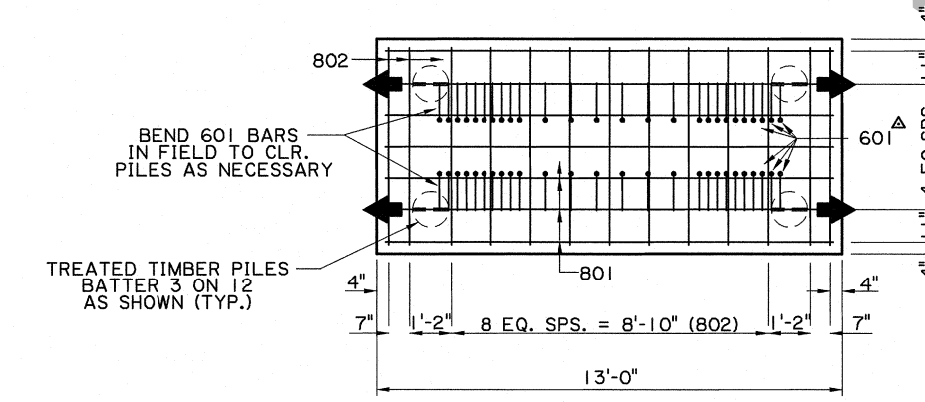


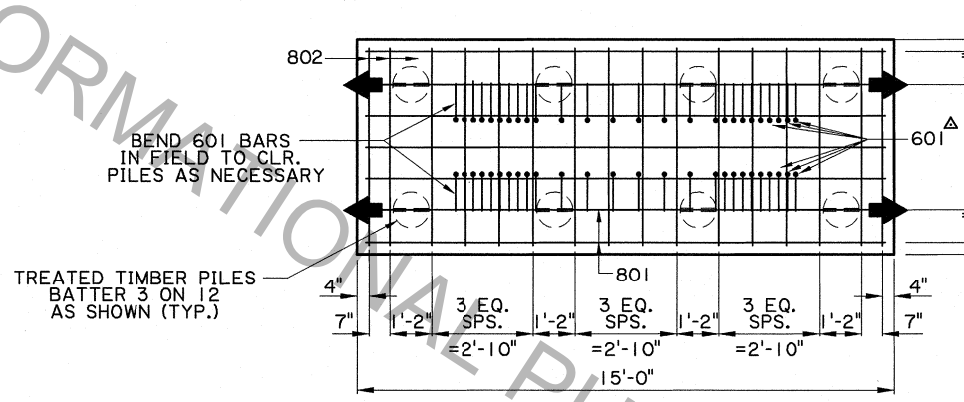
ELEVATION



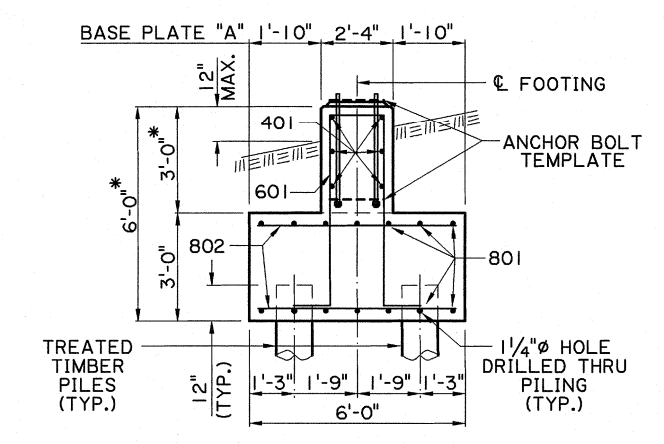
ELEVATION



SECTION A-A

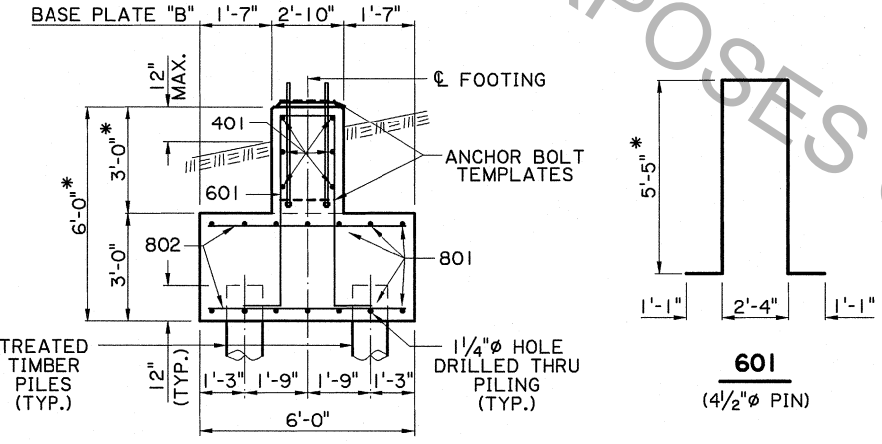


SECTION C-C



SECTION B-B

FOOTING "A"



SECTION D-D

FOOTING "B"

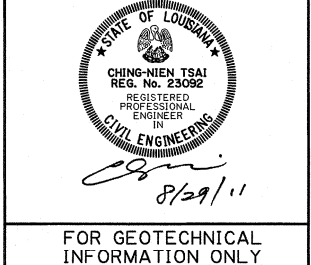
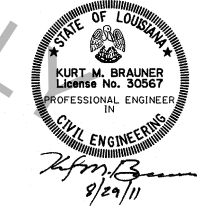
| WIND ZONE | FOOTING TYPE | PILE SIZE (IN.) | | PILE LENGTH (FT.) |
|-----------|--------------|-----------------|-----|-------------------|
| | | BUTT | TIP | |
| 1 | A | 12.4 | 8 | 55 |
| | B | 11.9 | 8 | 50 |
| 2 | A | 12.7 | 8 | 60 |
| | B | 11.9 | 8 | 50 |
| 3 | A | 13.9 | 8 | 75 |
| | B | 13.9 | 8 | 75 |

| BAR | NO. | UNIT LENGTH | TOTAL LENGTH | LOCATION |
|---|-----|-------------|--------------|---------------------------|
| 801 | 14 | 12'-6" | 175'-0" | FOOTING |
| 802 | 26 | 5'-6" | 143'-0" | FOOTING |
| TOTAL NO. 8 BARS = 318'-0" | | | | = 849 LBS. |
| 601 | 26 | 14'-10" | 385'-8" | STIRRUPS IN FOOTING & PED |
| TOTAL NO. 6 BARS = 385'-8" | | | | = 579 LBS. |
| 401 | 6 | 9'-6" | 57'-0" | PEDESTAL |
| TOTAL NO. 4 BARS = 57'-0" | | | | = 38 LBS. |
| TOTAL DEFORMED REINFORCING STEEL = 1466 LBS. | | | | |
| TOTAL CLASS A1 CONCRETE = 11.14 CU.YDS. | | | | |
| STRUCTURAL EXCAVATION = 40.0 CU.YDS. | | | | |
| STRUCTURAL STEEL = (SEE A.B. DETAILS) | | | | |
| TREATED TIMBER PILES = 240 LIN. FT. | | | | |

WIND ZONE 2 ASSUMED FOR PILE QUANTITIES. FOR OTHER WIND ZONES, ADJUST QUANTITIES ACCORDINGLY. SEE FOOTING PILE DATA TABLE.

| BAR | NO. | UNIT LENGTH | TOTAL LENGTH | LOCATION |
|---|-----|-------------|--------------|---------------------------|
| 801 | 14 | 14'-6" | 203'-0" | FOOTING |
| 802 | 32 | 5'-6" | 176'-0" | FOOTING |
| TOTAL NO. 8 BARS = 379'-0" | | | | = 1012 LBS. |
| 601 | 26 | 15'-4" | 398'-8" | STIRRUPS IN FOOTING & PED |
| TOTAL NO. 6 BARS = 398'-8" | | | | = 599 LBS. |
| 401 | 6 | 9'-6" | 57'-0" | PEDESTAL |
| TOTAL NO. 4 BARS = 57'-0" | | | | = 38 LBS. |
| TOTAL DEFORMED REINFORCING STEEL = 1649 LBS. | | | | |
| TOTAL CLASS A1 CONCRETE = 12.92 CU.YDS. | | | | |
| STRUCTURAL EXCAVATION = 45.0 CU.YDS. | | | | |
| STRUCTURAL STEEL = (SEE A.B. DETAILS) | | | | |
| TREATED TIMBER PILES = 400 LIN. FT. | | | | |

WIND ZONE 2 ASSUMED FOR PILE QUANTITIES. FOR OTHER WIND ZONES, ADJUST QUANTITIES ACCORDINGLY. SEE FOOTING PILE DATA TABLE.



NOTES:
 THIS SHEET TO BE USED WITH WIND LOAD MAP AND GENERAL NOTES SHEET.
 MAXIMUM PILE DESIGN LOAD IS 30 TONS PER PILE.
 ANCHOR BOLTS SHALL BE FURNISHED IN A PREPOSITIONED ANCHOR BOLT ASSEMBLY. (TWO TEMPLATES REQUIRED)
 FOR BASE PLATE DETAILS, SEE SHT. NO. 6 OF 16.

* THESE DIMENSIONS MAY BE VARIED ± ONE FOOT TO ADJUST ELEVATION FOR SITE CONDITIONS. ADJUST BARS 401 & 601 ACCORDINGLY.
 Δ NO. 601 BARS MAY BE MOVED TO CLEAR TRUSS ANCHOR BOLTS.
 ☒ DRILLED SHAFT ALTERNATE ALLOWED. SEE SHT. NOS. 13 & 14 OF 16.

SHEET NUMBER

DESIGNED BY: C. BRAUNER
 CHECKED BY: K. BRAUNER
 PARISH PROJECT: KOURILOVA
 FEDERAL PROJECT: K. BRAUNER
 DATE: JAN. 2011
 SHEET: 8 OF 16

REVISION DESCRIPTION: UPDATED FOR 2016 SPECIFICATIONS
 DATE: 02-13-17
 NO. 0

STATE OF LOUISIANA
 PROFESSIONAL ENGINEER
 CIVIL ENGINEERING

FOR GEOTECHNICAL INFORMATION ONLY

PILE FOOTING DETAILS

BD.2.7.1.0.8 - OVERHEAD TRAFFIC SIGNS

BRIDGE AND STRUCTURAL DESIGN